

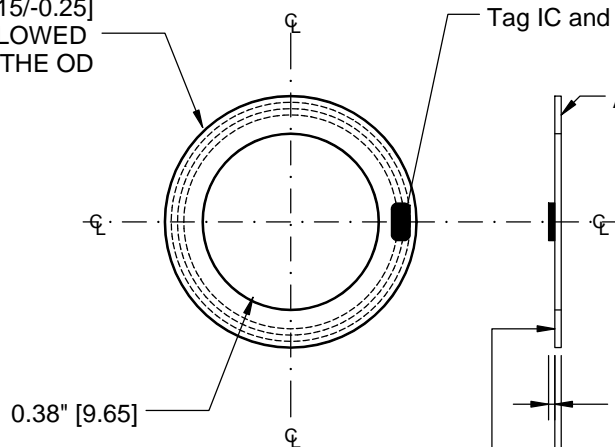
4

3

2

1

0.620" +.006/-0.010 [15.75 +0.15/-0.25]
NO VESTAGE IS ALLOWED
BEYOND THE OD



Tag IC and CAP must be fit within ID and OD.

ANTENNA CIRCUIT must be on this side or both.

0.38" [9.65]

.025" [0.64] 2PLCS

0.038" [0.97]

SCREEN PRINTED ID; XXXXXX
will be specified per order.

NOTE:

1. Tag must be NXP SLI 1024bits, ISO15693, and FAR tuned to 13.164MHz +/-5%.
2. Tag material is FR-4, 1OZ Copper.
3. Tag must withstand the temperature 140C for 60minutes.
4. Finish tag must be RoHS compliant, free of flux and other desbris.
5. Antenn must be certified as 100% tested for proper functionality. Certificate of compliance must be supplied with upon request.
6. The finish tag is bulk pack packed 100units into an Anti-Static bag-The bag is label: 100pcs. P/N xxx-xxxx
7. Circuit board must be seal with conformal coating.

UNLESS OTHERWISE SPECIFIED
DIMENSIONS ARE IN INCHES
TOLERANCE ARE:
FRACTIONS: DECIMALS ANGLES
1/2DEG
.XXX = 0.005

RFID, INC.

14100 E. Jewell Ave, Suite 12
Aurora, CO 80012.

TITLE
13.164MHZ, ISO15693

SIZE B	CAGE CODE	DWG NO TBD	REV E
-----------	-----------	---------------	----------

SCALE NONE	DO NOT SCALE	SHEET 1 OF 1
---------------	--------------	-----------------

4

3

2

1