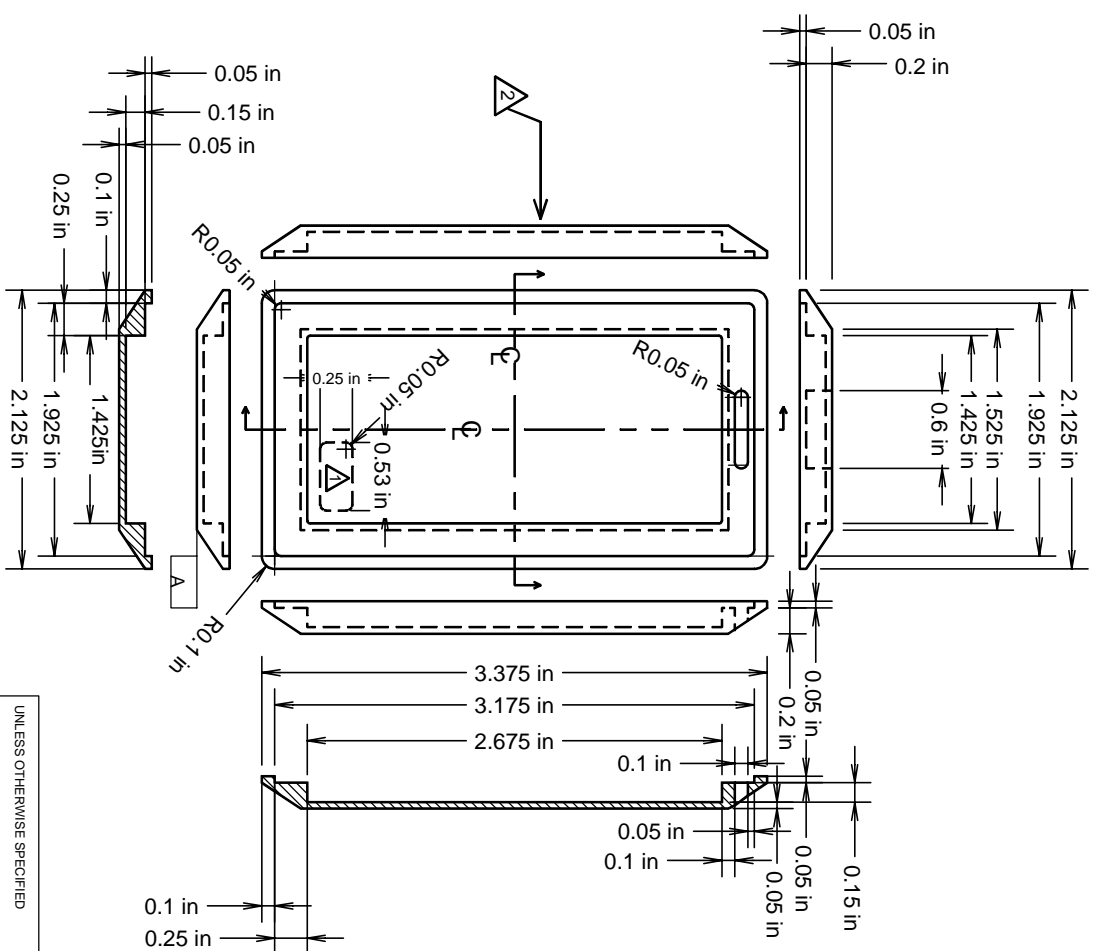


4

3

2

1



NOTES:

- 1 LOGO MUST BE LOCATED AT THIS AREA WITHIN GIVEN DIMENSIONS. LOGO INSERT MUST BE USED FOR DIFFERENT LOGO APPLICATIONS.
- 2 TEXTURE FINISHED SHOULD BE ANTI-SCRATCH WITH 0.002" DEEP.
- 3 MATERIAL : ABS PLASTIC. COLOR : TBD PER ORDER.
- 4 FINISHED PART SURFACE "A" MUST BE FLAT LESS THAN 0.005"

UNLESS OTHERWISE SPECIFIED
DIMENSIONS ARE IN INCHES
TOLERANCE ARE:
FRACTIONS: DECIMALS ANGLES
.XX = 0.015 1/2DEG
.XXX = 0.005

TITLE		AC-TAG HOUSING	
SIZE		GAGE CODE DWG NO	
SCALE		NONE	
REV		1 0	
SHEET		1 OF 1	

RFID, Inc.

4

3

2

1