

Model UHF-A10V & A10H RFID Antenna Specifications & Data Sheet



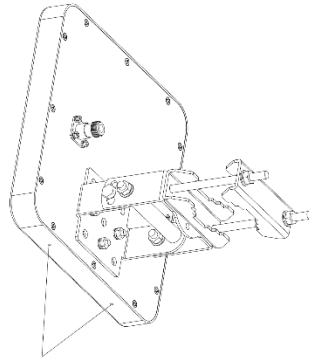
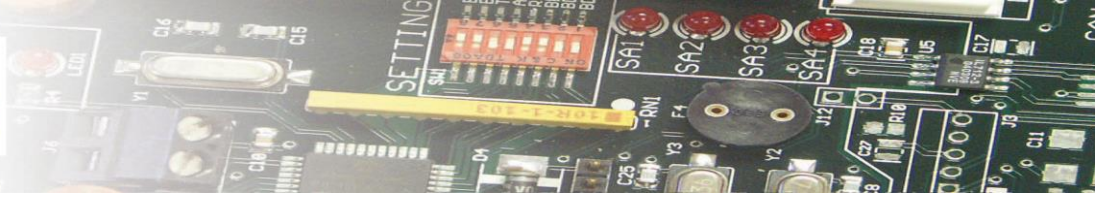
Model Number	Part Number	Description	Read Range
UHF-A10V UHF-A10H	719-1010-09V 719-1010-09H	Models UHF-A10V & A10H 902-928 MHz UHF Antenna, 10x10x1.26", Radome, ABS w/UV Protection, Vertical or Horizontal Polarized, 9dBi, N-Type Female Connector	Up to 100' Tag Dependent

Mechanical:	Measurements:	258x258x32mm	10.16 x10.16 x 1.26"
	Antenna Front Body:	Radome, ABS w/UV Protection	Aluminum Back Plate
	Antenna Rear Body:	Aluminum	
	Weight:	3.06 LBS	1.39 KGS
Certifications:	RoHS III	REACH	CE
	FCC Part 15 & ETSI	ATEX compliant, SIL2	Free of BBP, DEHP, DBP, DIBP

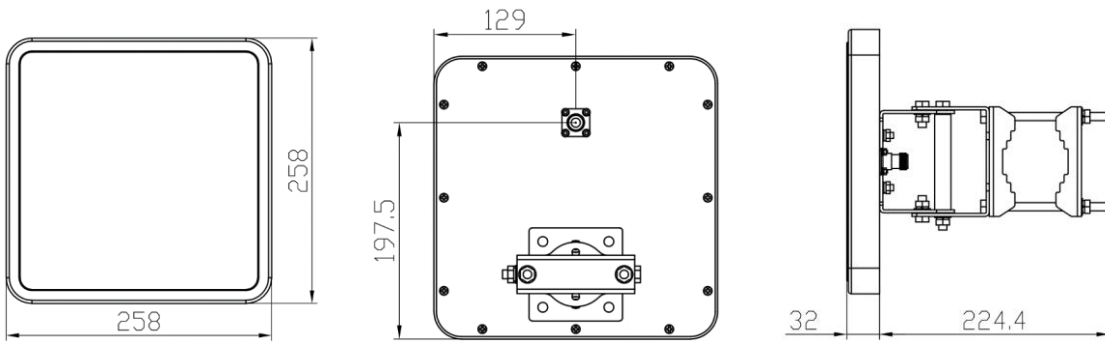
RF:	Gain:	9dBi	
	Standard:	EPC Class1 Gen2	ISO 18000-6C
	Frequency:	902 – 928 MHz (North America)	Also Available in 865.5 – 866.5 MHz (EU)
	Power:	50 Watts	

Environmental:	Storage Temp:	-40°F to +185°F	-40°C to +85°C
	Temp, Operating:	-40°F to +185°F	-40°C to +85°C
	Ingress Protection:	IP68	

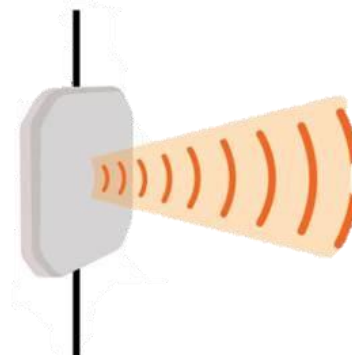
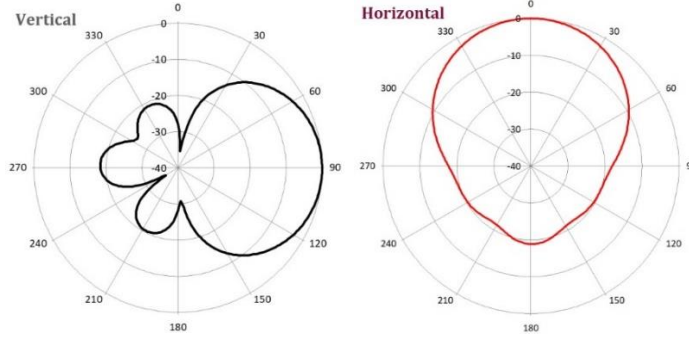




2 holes for water leakage / Drainage Holes
Hole Diameter: 3mm



RADIO FREQUENCY WAVES



Vertical Polarization Illustration